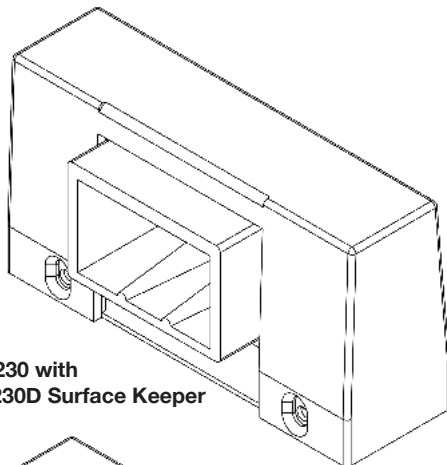
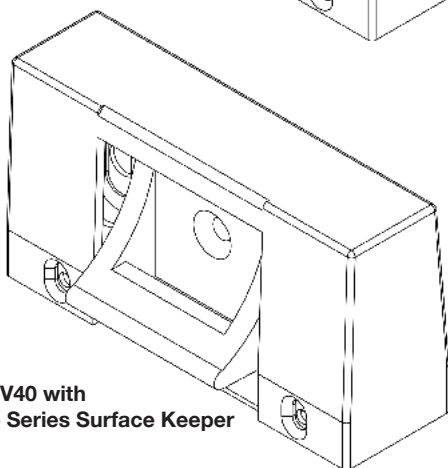


Lock Synergy Double Door Strike Series DDS-230 / DDS-V40 / DDS-ADV / DDS-DTX Adjustable Surface Keepers for Detex Locks



DDS-230 with
ECL-230D Surface Keeper



DDS-V40 with
Value Series Surface Keeper

The DDS adjustable surface keepers are designed to be paired with each Detex lock's surface mount strike when installed on a double door application. The DDS kit comes with an L bracket that has hole fixtures to mount most Detex surface mount strikes, a cover that matches the lock's exterior, and the necessary screws and nuts to complete the installation job.

The design of the bracket allows height adjustments of the surface strike, enabling a more secure engagement between the latch of the lock and the strike. In addition, the bracket and mounting kit is made of stainless steel to enhance product longevity and fire resistance.

Each kit is designed for a specific Detex product line. Please refer to the end of this specification sheet for assistance in choosing the right kit for your Detex lock.

Features

- Adjustable height for the strike engaging the latch of the lock (great for doors hung unevenly)
- Matching colors between the lock and the DDS cover
- Stainless steel bracket for durability and fire resistance
- Tamper resistant fixtures (DDS-DTX only)
- Designed to use with Detex's original surface mount strikes

Benefits

- Ideal for double door installation applications or doors mounted on flush door frames
- Can fully engage dead-latch on the Value and Advantex Series, preventing force opens
- Slim and low profile design

Specifications

-Bracket Material: 304 Stainless Steel

- Cover Finish:

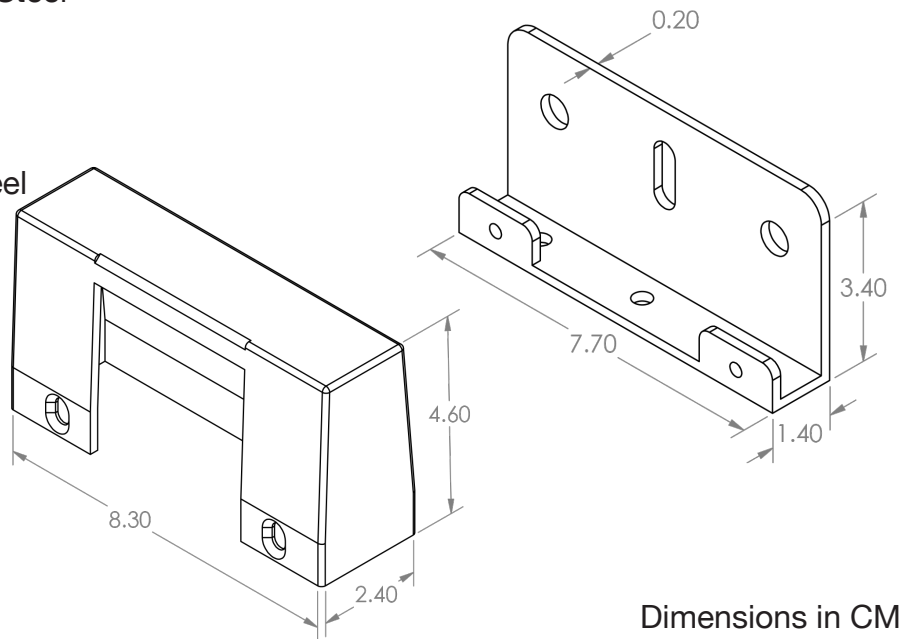
DDS-230: Powder Coat Grey

DDS-V40: Powder Coat Black

DDS-ADV: Brushed Stainless Steel

DDS-DTX: No Cover

- Mounting Kit Inclusive



Options

DDS-230: Use with ECL-230D or ECL-600 exit control locks, comes with grey cover

DDS-V40: Use with all Value Series exit devices, comes with black cover

DDS-ADV: Use with all Advantex Series exit devices, comes with brushed stainless steel cover

DDS-DTX: Use with ECL-230D, ECL-600, Value Series, and Advantex Series exit devices, does not come with a cover.

Pictures

Value Series with DDS-V40



ECL-230D with DDS-230

