



Lock Synergy Electric Dropbolt Series

LSDB-600

Electric Dropbolt



LSDB-600



The LSDB-600 is an electric dropbolt that is mounted on any door frame with a width of 1.75" (44.5mm) or more. In addition, when fully mortised, its compact design allows the lock to fit on frames with a depth of 1.75" (44.5mm). The 5/8" (16mm) stainless steel bolt has a 5/8" (16mm) throw, making forced entries difficult. The lock uses a magnetic sensor to sense the door position, thus locking the door when the door is in the closed position, preventing potential tailgaters. The device comes standard at failsafe, and operates on 12VDC, with an aluminum polished face plate cover inclusive.

Failsecure can be offered upon request. Lock status signal output can be added on at an additional cost.

Features

- Compatible with frame width and depth of 1.75" (44.5mm)
- 800KG (1,763.7LBs) holding strength
- Passed 500,000 cycle test
- 5/8" (16mm) diameter stainless steel bolt with 5/8" (16mm) throw
- Lock status signal optional

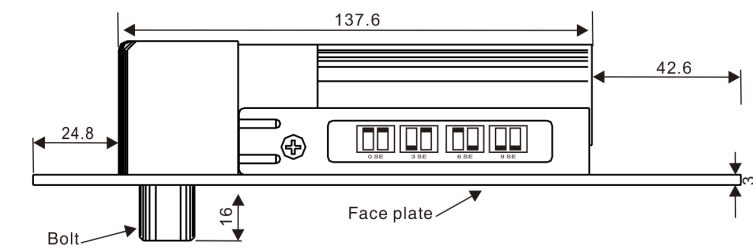
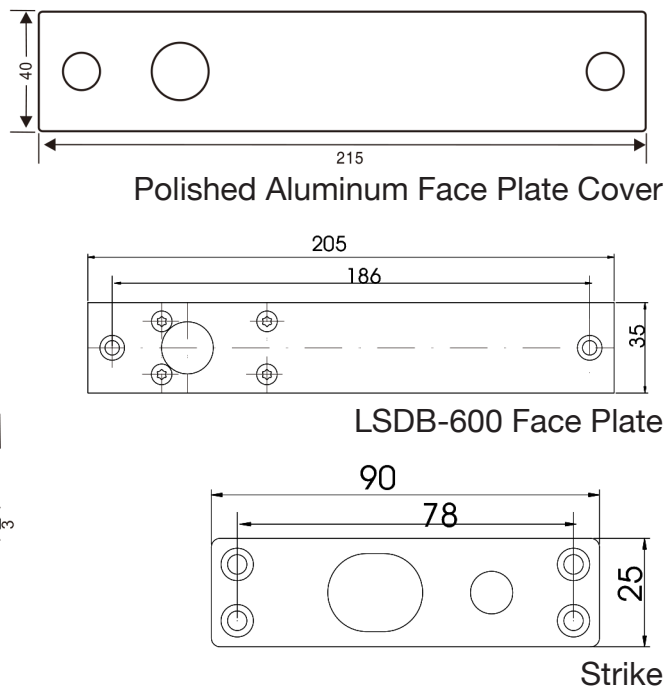
Benefits

- Applicable to most installation locations
- Concealed installation brackets inclusive
- Brackets available for complete glass or narrow width door and door frame



Specifications

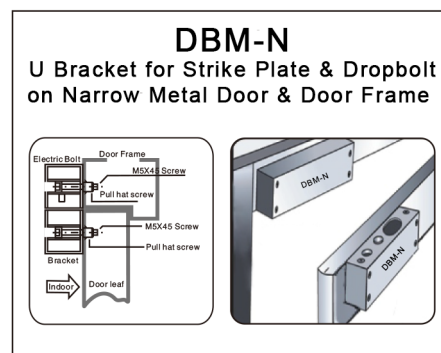
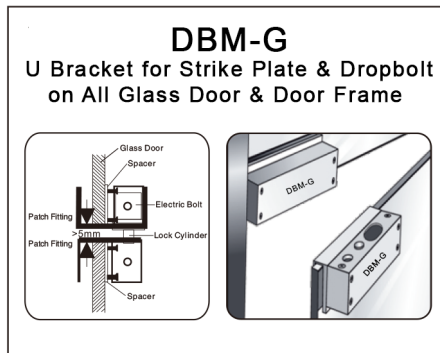
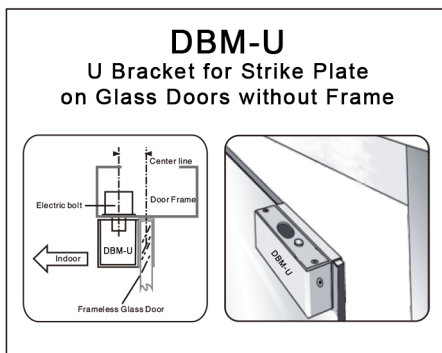
Voltage: 12VDC/24VDC (Specify when ordering)
 Current: 900mA (Initial Draw) & 110mA (Continuous)
 Weight: .72KG
 Material: Aluminum with Stainless Steel Bolt
 Holding Strength: 800KG (1,763.7LB)
 Testing Cycle: 500,000 cycles



Dimensions in MM

Accessories

Special installation parameters may require the following accessories.



Options

LSDB-600: 12VDC, Failsafe
 LSDB-600xSE: 12VDC, Failsecure

Add xS for lock status monitor (EX. LSDB-600xS for 12VDC, Failsafe, with Lock Status Monitor)

Certifications



EN 55022, EN 50130-4 /1996,
 EN 61000-4-2 /-3 /-4 /-6

Warranty

2 Year Limited Manufacturer Warranty