



Lock Synergy Access Control Series

LSEM-600

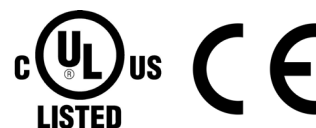
600lb/272kg Electromagnetic Lock

A 600 pound holding force, UL rated electromagnetic lock designed for medium security applications where interior door security and access control is required. Ideal for commercial and industrial access control points, this lock can be used with wood, metal or glass doors. Built-in door lock signal comes standard.



LSEM-2600

LSEM-600



Features

- Templates for mounting plate and armature makes installation easy and time saving
- Bi-color door & lock status LED
- 12/24VDC Field Selectable Input
- Voltage spike protection
- No Residual Magnetism
- Peel and Stick paper template
- Built-in terminal block
- Door Lock Sensor Output
- 628 aluminum finish

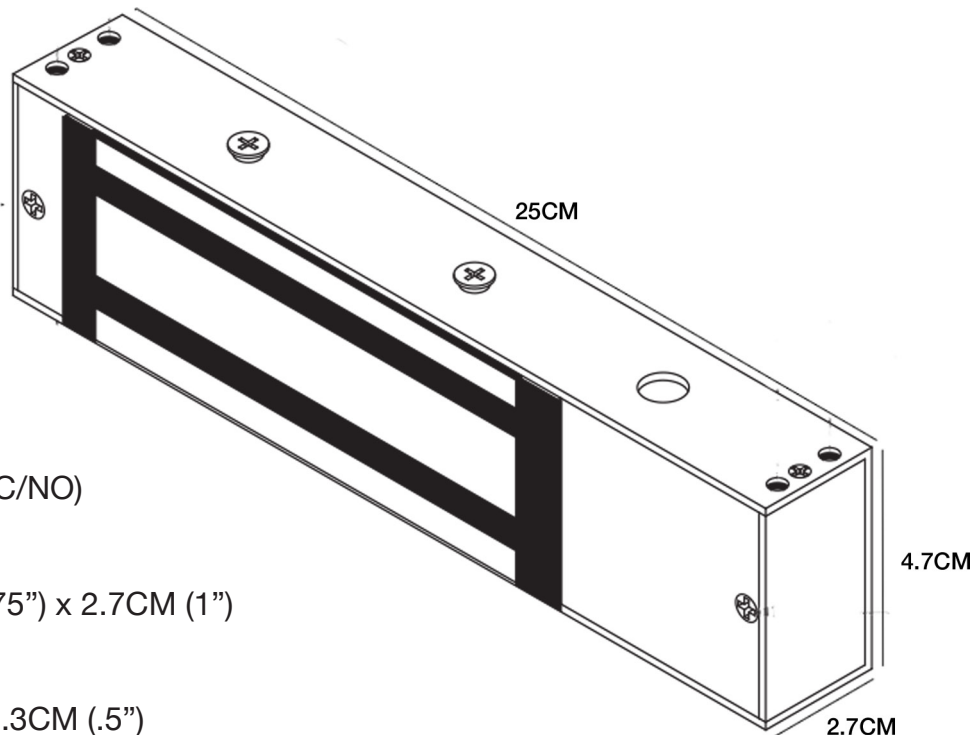
Benefits

- Lock Status Output and Lock Status LED come standard
- Compatible with access control systems that require status signals
- Long operational life duration



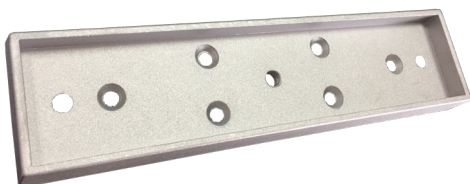
Specifications

- Holding Force:
600lbs/ 272kg
- Weight: 2kg
- Voltage: 12/24VDC
- Power Consumption:
12V/480mA, 24V/240mA
- LED Status Signal
- Door Lock Status Output (NC/NO)
- Magnetic Lock Dimensions:
25CM (9.875") x 4.7CM (1.875") x 2.7CM (1")
- Armature Dimensions:
18CM (7") x 3.8CM (1.5") x 1.3CM (.5")

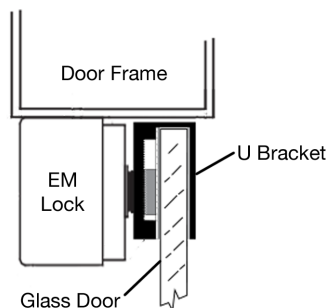


Accessories

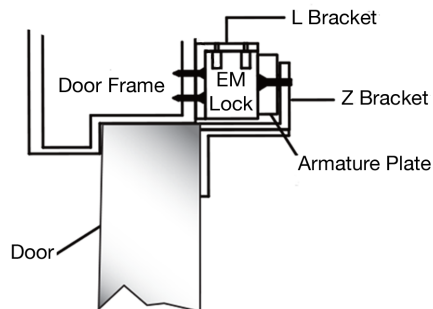
AMK-600: Armature Mounting Kit



EMB-U: U Bracket for Glass Doors



EMB-6LZ: L&Z Bracket for Inswinging Doors



Certifications



EN 55022, EN 50130-4 /1996,
EN 61000-4-2 /-3 /-4 /-6



UL 10C

Warranty

3 Year Limited Manufacturer Warranty